

LOCK





Entry Mortise Lock

		Standard	Distressed	ETERNA
9600KK	Entry Mortise Lock KxK <i>(includes faceplate and strike)</i>	515.20	540.96	579.60
9600LL	Entry Mortise Lock LxL <i>(includes faceplate and strike)</i>	515.20	540.96	579.60
9600 HK	Handle by Knob <i>(includes faceplate and strike)</i>	515.20	540.96	579.60
9600 HL	Handle by Lever <i>(includes faceplate and strike)</i>	515.20	540.96	579.60

All Prices in US Dollars - Prices Subject to Change Without Notice
Please Check with Customer Service for Up to Date Pricing.

Features:

Latch bolt by key outside and lever either side unless outside lever is locked by toggle action stop.

Dead bolt by key outside and turn piece inside. Turning inside lever retracts latch and dead bolt simultaneously.

Outside lever remains locked until manually unlocked by toggle

Case: Heavy Gauge. Plated Steel.

Front: 1.25" x 8.00"

Latch Bolt: Anti friction latch bolt with 3/4" throw.

Dead Bolt: Brass-with hardend steel inserts, 1" throw

Strike: 4 7/8" ASA

Thumb Turn Hub: 3/16" (5mm) on the diamond

Backset: 2.50" or 2.75"

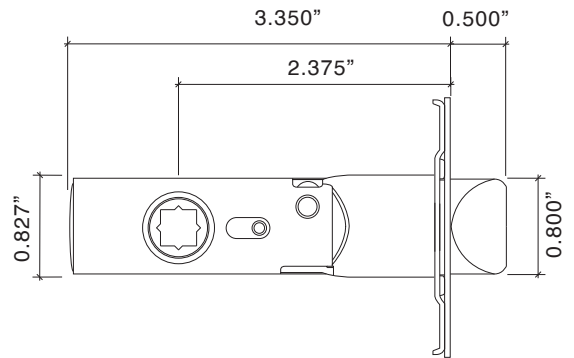
Passage Tubular Latches

Passage



9434 Passage Tubular Latch 2-3/4" Backset
9438 Passage Tubular Latch 2-3/8" Backset

2.375 Backset



Dust Box

Tube Latch Strike

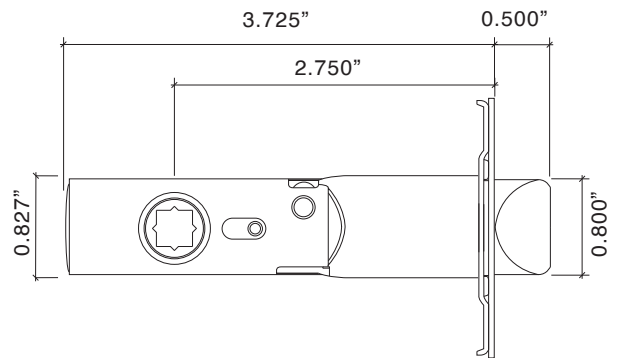
Privacy/Locking Tubular Latches

Privacy/Locking



9334 Passage Tubular Latch 2-3/4" Backset
9338 Passage Tubular Latch 2-3/8" Backset

2.75 Backset



Dust Box

Tube Latch Strike



Passage Tubular Latch

		Standard	Distressed	ETERNA
9434K	Passage Tubular Latch 2-3/4" Passage Knob Strength	63.11	74.70	90.16
9438K	Passage Tubular Latch 2-3/8" Passage Knob Strength	63.11	74.70	90.16
9434L	Passage Tubular Latch 2-3/4" Passage Lever Strength	63.11	74.70	90.16
9438L	Passage Tubular Latch 2-3/8" Passage Lever Strength	63.11	74.70	90.16

All Prices in US Dollars - Prices Subject to Change Without Notice
Please Check with Customer Service for Up to Date Pricing.



Privacy/Locking Tubular Latch

		Standard	Distressed	ETERNA
9334K	Privacy Tubular Latch 2-3/4" Passage Knob Strength	85.00	95.31	105.62
9338K	Privacy Tubular Latch 2-3/8" Passage Knob Strength	85.00	95.31	105.62
9334L	Privacy Tubular Latch 2-3/4" Passage Lever Strength	85.00	95.31	105.62
9338L	Privacy Tubular Latch 2-3/8" Passage Lever Strength	85.00	95.31	105.62



Tube Latch Strike and Dust Box

		Standard	Distressed	ETERNA
93404	Tube Latch Strike	9.78	11.48	12.75
		Mill Finish		
93405-009	Dust Box for Tube Latch and Mortise Bolt	2.83		

- 22° Retraction.
- Tested to more than 1 million cycles.
- Available in 2.75" and 2.375" backset.

Features: Latch case of dichromated steel. Latch front and faceplate permanently assembled and easily interchangeable to facilitate stocking. Adjustable for use on beveled doors. Latch bolt and front/face plate spin 360° for easy handing. Knob latches are two way rotation. Lever latches are one way rotation and feature heavy duty springs. Privacy latches supplied with a swivel spindle for use on a 1.375" door.

Strike: Latches supplied with a standard box strike. Other strikes available upon request. All strikes supplied with a solid brass dust box.

Packing: Latches packed one per box with appropriate fasteners, strike, front/face plate and dust box. Privacy latches supplied with a swivel spindle for 1.375" doors. Other size spindles available at an additional charge.

Privacy Pin: Privacy latches packed with a finished privacy pin.

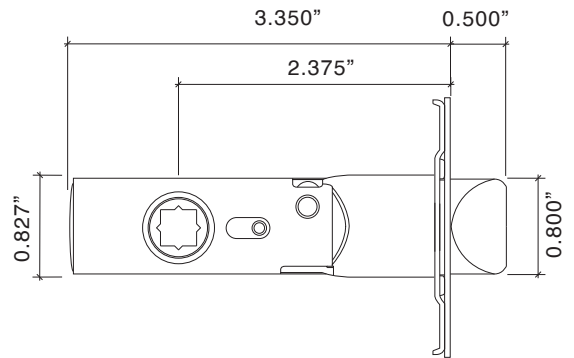
Passage Tubular Latches

Passage



9434 Passage Tubular Latch 2-3/4" Backset
9438 Passage Tubular Latch 2-3/8" Backset

2.375 Backset



Dust Box

Tube Latch Strike

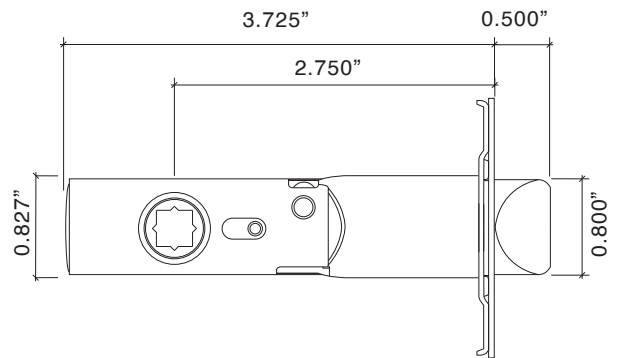
Privacy/Locking Tubular Latches

Privacy/Locking



9334 Passage Tubular Latch 2-3/4" Backset
9338 Passage Tubular Latch 2-3/8" Backset

2.75 Backset



Dust Box

Tube Latch Strike



Mortise Bolt

		Standard	Distressed	ETERNA
9538	Mortise Bolt 2-3/8"	54.10	63.11	77.28

All Prices in US Dollars - Prices Subject to Change Without Notice
Please Check with Customer Service for Up to Date Pricing.



Optional Combination Strike

		Standard	Distressed	ETERNA
94401	Optional Combination Strike	26.66	35.55	45.92



Optional Extended Combination Strike

		Standard	Distressed	ETERNA
94402	Optional Extended Combination Strike	28.98	38.00	48.00

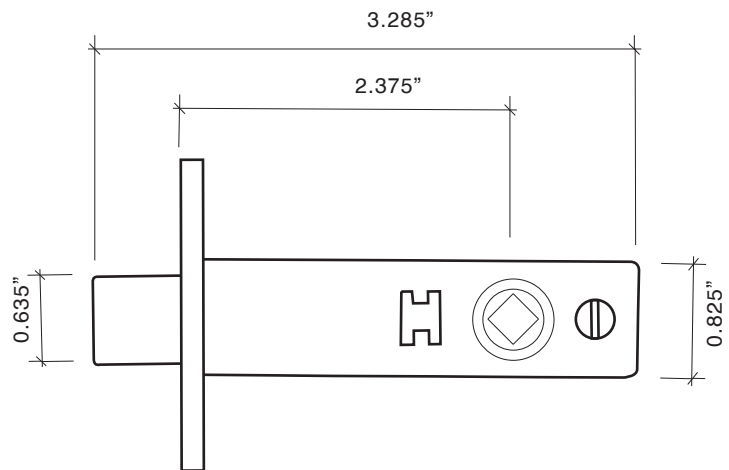
Features: Exceptional quality heavy duty mortise bolt, constructed with a Stainless Steel housing and Forged Brass components. Smooth and positive action. Designed for use with Tubular Passage Latches for privacy/patio function. Mortise bolts may be installed above or below latches, depending upon desired appearance. Turnpiece and Emergency Release trim available at an additional charge.

Strike: Mortise Bolts supplied standard with a mortise strike. Optional Combination Strike or Extended Lip Combination Strike available at extra charge. All strikes supplied with a solid brass dust box.

Packing: Mortise Bolts packed one per box with appropriate fasteners, strike, front/face plate and solid brass dust box.



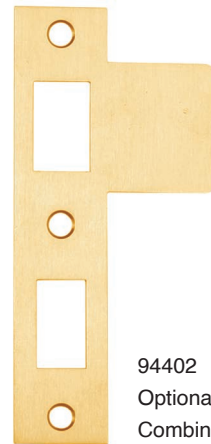
9538 Mortise Bolt 2-3/8" Backset



Standard Strike



94401
Optional
Combination Strike



94402
Optional Extended
Combination Strike



All Prices in US Dollars - Prices Subject to Change Without Notice
Please Check with Customer Service for Up to Date Pricing.

Mortise Bolt

		Standard	Distressed	ETERNA
9100	Interior Mortise Lock, Privacy, without function Kit	258.89	270.48	289.80
9101	Interior Mortise Lock, Passage	224.11	238.28	264.04

Features: Heavy duty steel case with smooth exterior for ease of installation. Case is zinc dichromated for corrosion resistance. Interior mechanism is a combination of heavy zinc dichromated steel, forged brass and Stainless Steel components. Armored front protects against tampering with cylinder tension screws and hub tension adjusting screws. Latch is extremely versatile. Springing is infinitely adjustable for any size knob or

lever. Two way hub rotation allows lock to be installed with the turn piece either above or below the knob or lever. Hub position adjustment allows proper positioning of lever. Hub Position is adjusted from side of the lock case allowing the hub position to be adjusted so that levers are horizontal and oval knobs are straight. It allows adjustment of up to 5 degrees in either direction. One latch case allows many locking functions: turnpiece, cylinder or bit key. Latch bolt is easily reversible without opening the case. The minimum recommended door thickness is 1-3/8".

Case Size: 0.563" x 3.25" x 4.50"

Front: Heavy Duty steel with zinc dichromate finish. 1" x 5.75" front is large enough to install in retrofit applications without the use of fillers. Heavy wrought brass armored front covers latch installation screws, cylinder tension screw, hub tension screw and is available in finishes to match trim.

Latch Bolt: Brass latch bolt, 0.50" x 0.625" with a 0.50" throw. Latch bolt is field reversible by simply rotating the bolt. Bolt is held in position by the armored front.

Deadbolt: 0.36" x 0.86" with a 0.50" throw.

Hub: Star broach (7mm diamond/8mm square) with two way rotation, 25 degree release. Hub tension is infinitely adjustable with a screw in the latch front. Adjustable hub angle.

Backset: 2.50"

Spacing: 2.25" spindle hub to turnpiece or bit key; 2.467" spindle to cylinder.

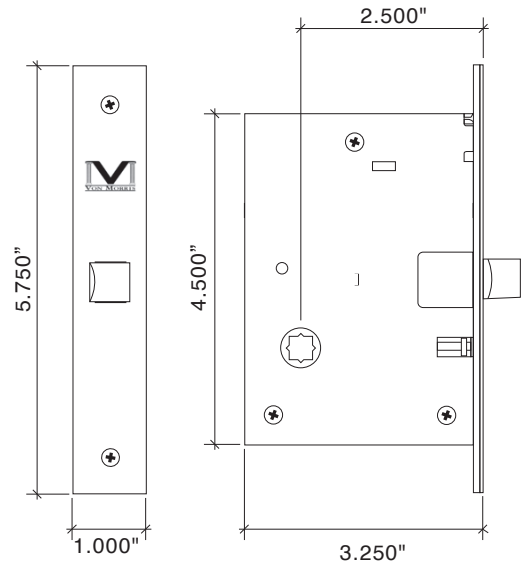
Strike: Wrought Brass straight lip strike finished to match. All latches furnished with a solid brass dust box.

T8

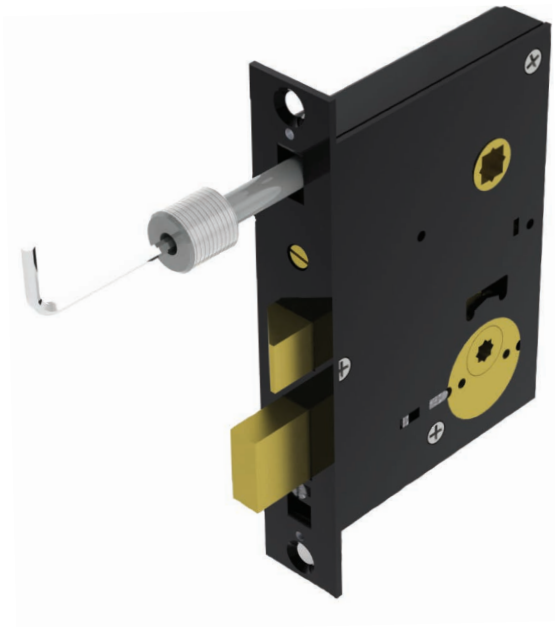
Interior Mortise Latch/Passage



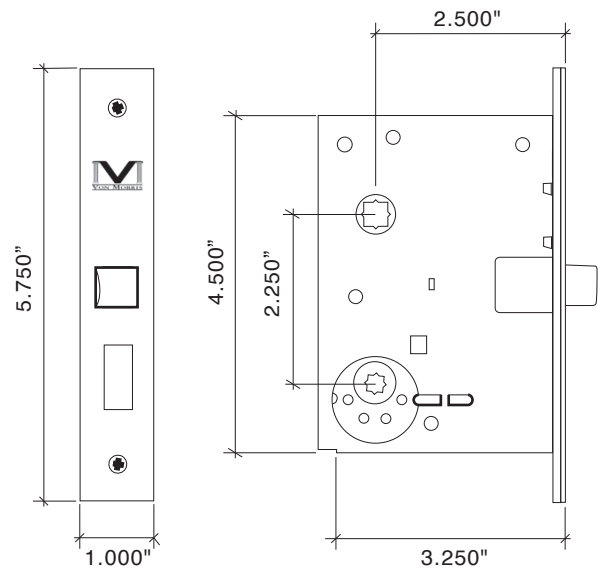
9101 Mortise Latch



Interior Mortise Lock/Passage



9100 Mortise Lock





Screen Door Latches

		Standard	Distressed	ETERNA
9001	Stainless Steel Screen Door Latch	108.17	109.60	114.39
9001-009	Stainless Steel Screen Door Latch (No Faceplate or Strike)		Mill 86.83	

Features: The new Stainless Steel lock:

- Increased spring strength for knob/lever hub preventing lever sagging
- Separation of springing for knob/lever hub and latch bolt allows for softer spring strength in latch bolt for easier latch retraction when door closes
- Handing is now easy! Simply remove the face plate, and rotate the latch. Its that easy!
- Reduced hub rotation, now only 28° for full latch retraction, compared to 45° for existing Brass and Iron cases

Operation: Latch Bolt by Knob outside and Lever inside. Deadbolt by Oval Turnpiece inside.

Case Size: 2.0" x 2.1" x 0.5"

Hub: 7mm square with two way rotation.

Backset: 1.50"

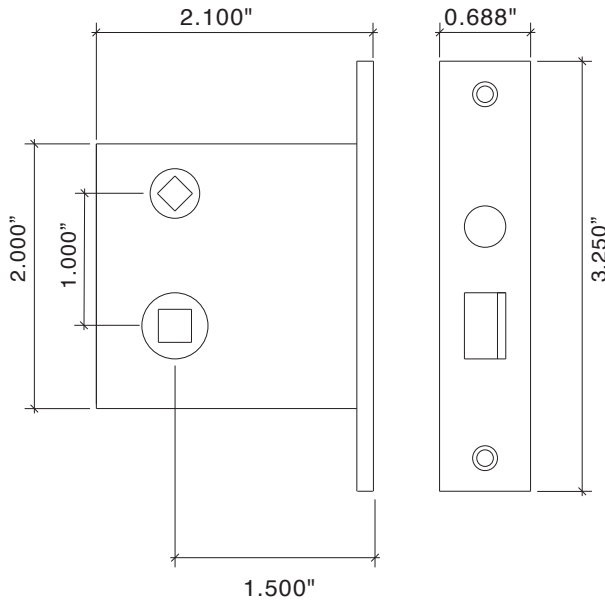
Spacing: Knob hub to Turnpiece hub, 1.0".

Latch Bolt: 0.50" x 0.30" forged brass furnished in machined brass finish. 0.313" throw.

Deadbolt: 0.30" round extruded brass furnished in machined brass finish. 0.313" throw.

Strike: Straight Lip Strike furnished in finish matching trim. Extended lip strikes available.

Stainless Steel Screen Door Latch



9001 Stainless Steel Mortise Latch

The new Stainless Steel lock:

- Increased spring strength for knob/lever hub preventing lever sagging
- Separation of springing for knob/lever hub and latch bolt allows for softer spring strength in latch bolt for easier latch retraction when door closes
- Handing is now easy! Simply remove the face plate, and rotate the latch. Its that easy!
- Reduced hub rotation, now only 28° for full latch retraction, compared to 45° for existing Brass and Iron cases



Active Pocket Door Lock with Edge Pull

		Standard	Distressed	ETERNA
9200	Active Pocket Door Lock with Dustproof strike	177.74	185.47	212.52

All Prices in US Dollars - Prices Subject to Change Without Notice
Please Check with Von Morris Customer Service for Up to Date Pricing.



Dummy Pocket Door Lock with Edge Pull

		Standard	Distressed	ETERNA
9201	Dummy Pocket Door Lock with built in Dustproof strike	145.54	164.86	173.88



Dustproof Strike

		Standard	Distressed	ETERNA
92004	Dustproof strike	19.64	22.91	23.74

Features: This Pocket Door Lock (9200) has been engineered for durability, ease of installation and versatility. The lock body is constructed from heavy duty steel with a zinc dichromate finish. It has the smallest possible case and smooth sides to ease installation. The lock body has several function kits available to convert the lock from Turnpiece to Mortise Cylinder or Bit Key operation. Lock body has built in edge pull. Also available as dummy lock (9201) with built in edge pull to be used on pairs of doors. The 9200 hook bolt will latch into the 9201 body. The 9201 dummy lock has a dustproof strike with spring loaded cover for latch hole and built in edge pull. It replaces the dustproof strike (92004) in double door applications and provides a clean, neat installation. The minimum door thickness is 1-3/8" and the maximum door thickness is 3".

Application: For single door applications where a latching feature is desired use 9200 lock. For double meeting doors where a latching feature is desired use the 9200 and 9201. For single and double door applications where a latching feature is not desired use the 9202 mortise edge pull. See next page.

Case Size: 9200: 3.52" x 5.77" x 0.563" 9201: 2.77" x 5.77" x 0.563"

Front: Heavy steel with zinc dichromate finish. 8.00" x 0.875" front is sized to allow use in double door installations with the use of standard mouldings. Heavy wrought brass armored front finished to match trim. Front covers latch installation screws and cylinder tension screw.

Hook Bolt: Brass Hook Bolt is finished in either 605 or 619 finish.

Edge Pull: Brass Edge Pull is released with a push on the retracted hook bolt on 9200 lock. Use center button on 9201.

Backset: 9200: 2.50", 9201: none

T12

Pocket Door Lock - Active

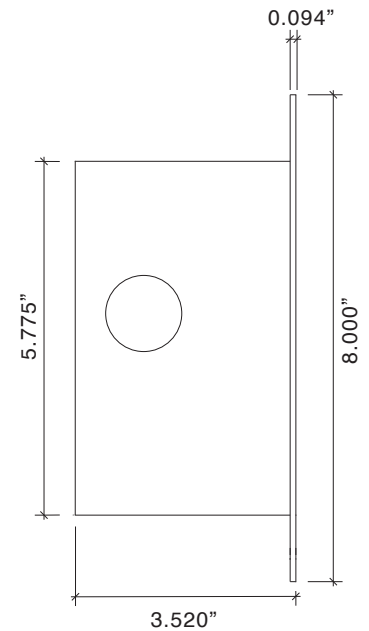


9200 Active Lock with Edge Pull

The 9200 Active lock body has several function kits available to convert the lock from Turnpiece to Mortise Cylinder or Bit Key operation. Lock body has built in edge pull.



92004 Dustproof Strike

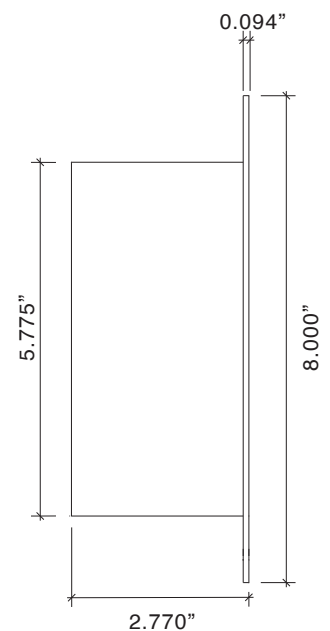


Pocket Door Lock - Dummy with Edge Pull



9201 Dummy with Edge Pull

The 9201 Dummy with built in edge pull is designed to be used on pairs of doors. The 9200 hook bolt will latch into the 9201 body. The 9201 dummy lock has a dustproof strike with spring loaded cover for latch hole and built in edge pull. It replaces the dustproof strike (92004) in double door applications and provides a clean, neat installation.





Pocket Door Lock - Edge Pull

		Standard	Distressed	ETERNA
9202	Edge Pull	109.48	119.78	135.24

All Prices in US Dollars - Prices Subject to Change Without Notice
Please Check with Customer Service for Up to Date Pricing.

Features: The 9202 Edge Pull is designed for use on pocket doors when no locking or latching is required. Case and front sizes are reduced for ease of installation. Case sides are smooth with no projections for easy mortising. Can be used with our 82010 or 82110 Recessed Flush Pulls for single and double door applications. The minimum door thickness is 1-3/8".

Application: For single door applications where a latching feature is desired use 9200 lock. For double meeting doors where a latching feature is desired use the 9200 and 9100. For single and double door applications where a latching feature is not desired use the 9202 mortise edge pull.

Case Size: 2.77" x 3.75" x 0.563"

Front: Heavy steel with zinc dichromate finish, 6.0" x 0.875". Heavy wrought brass armored front finished to match trim.

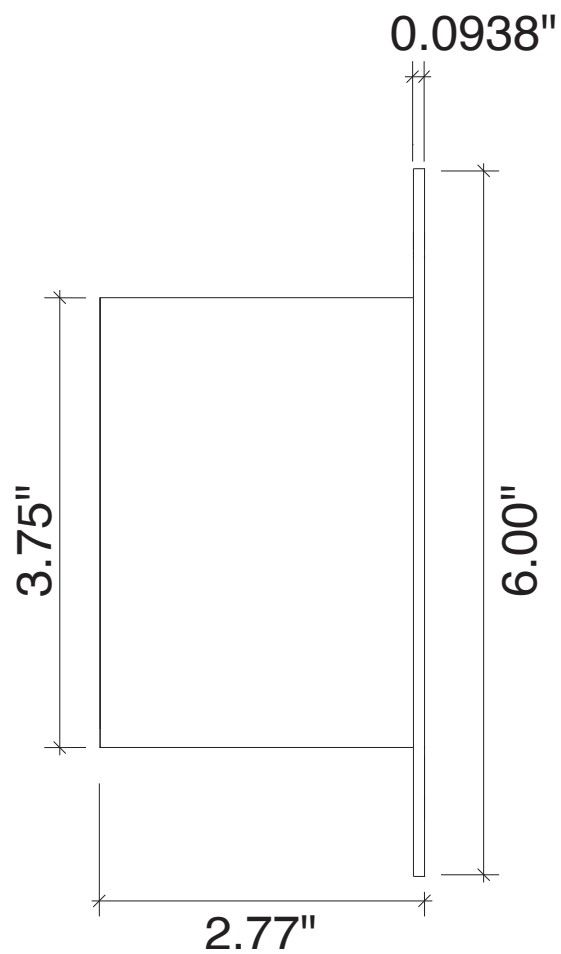
Edge Pull: Brass edge pull is released with a push on the center button. Edge pull and center button supplied standard in 606 or 619 finish.

Pocket Door Locks - Edge Pull



9202 Edge Pull

- The 9202 Edge Pull is designed for use on pocket doors when no locking or latching is required.



LOCK BODIES

